

# T35-130SLP 100 V R-Series Telescopic Handler

## Telescopic Specifications

### Performance

Rated capacity	3500 kg
Capacity (at max. height on tyres)	3000 kg
Capacity at max. height on stabilizers	3500 kg
Capacity at max. reach on stabilizers	1300 kg
Lifting height	12242.0 mm
Lifting height on stabilizers	12468.0 mm
Tilt Breakout force	12300 daN
Drawbar pull	5700 daN
Max. reach	8764.0 mm
Lifting height on stabilizers (20" tyres)	12468.0 mm
Lifting height on stabilizers (24" tyres)	12552.0 mm
Max. reach on stabilizers (20" tyres)	8760.0 mm
Max. reach on stabilizers (24" tyres)	8600.0 mm
Leveling - Boom lift angle < 50°	4.0°
Side shift - Boom max angle Extended	950.0 mm

### Cycle times

Boom raising	14.0 s
Boom lowering	8.5 s
Boom extension	18.0 s
Boom retraction	11.5 s
Crowding	5.0 s
Dumping	4.5 s

### Weights

Unladen weight (20" tyres)	8705 kg
Unladen weight (24" tyres)	8805 kg

### Engine

Make / Model	Bobcat D34
Fuel	DIESEL
Rated power (ISO 14396)	74.0 kW
Rated speed	2400.0 RPM
Maximum torque at 1400 rpm	430.0 Nm
Number of cylinders	4.0
Displacement	3.41 L

### Hydraulic system

Pump type	Gear pump with LS valve
Pump capacity	100.00 L/min
Relief valve pressure setting	250.00 bar
Control valve type	Open center with flow sharing & flow compensators technology

### Drive system

Transmission	Hydrostatic with electronic regulation
Main Drive	Hydrostatic motor

### Traction

Standard Tyres	405/70-20 16PR TM R4
Max speed - turtle mode (24" / 20")	8,5 / 7 kph
Max speed - rabbit mode (24" / 20")	30 / 26 kph

### Brakes

Engine Braking	Hydrostatic
Parking and Emergency brake	Passive brake
Service Brake	Oil immersed discs

### Steering

Steering Mode	2 wheel steering / 4 wheel steering / Crab-steering
---------------	---

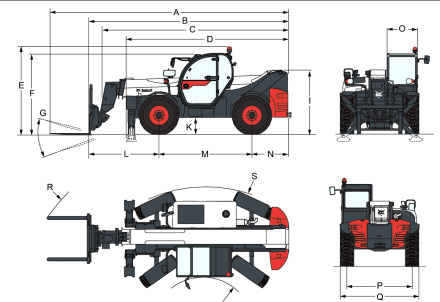
### Fluid Capacities

Fuel tank	145.00 L
Adblue @ tank	22.40 L
Hydraulic tank	76.00 L
Hydraulic system	155.00 L

### Environmental

Operator noise level (LpA) (EN 12053)	75 dB(A)
Level of acoustic power (LwA)	106 dB(A)
Whole body vibration (EN 13059)	0.90 ms <sup>-2</sup>

### Dimensions



Values marked with \* - 24" tyres

(A)	7081.0 mm	(L)	1919.0 mm
(B)	5876.0 mm	(M)	2850.0 mm
(C)	5541.0 mm	(N)	1107.0 mm
(D)	4950.0 mm	(O)	930.0 mm
(E)	2586.0 mm	(P)	1992.0 mm
(F)	2430.0 mm	(Q)	2418.0 mm
(G)	124.0°	(R)	5696.0 mm
(I)	1869.0 mm	(S)	4150.0 mm
(K)	422.0 mm	(U)	1519.0 mm

### Load Charts

Load Charts

